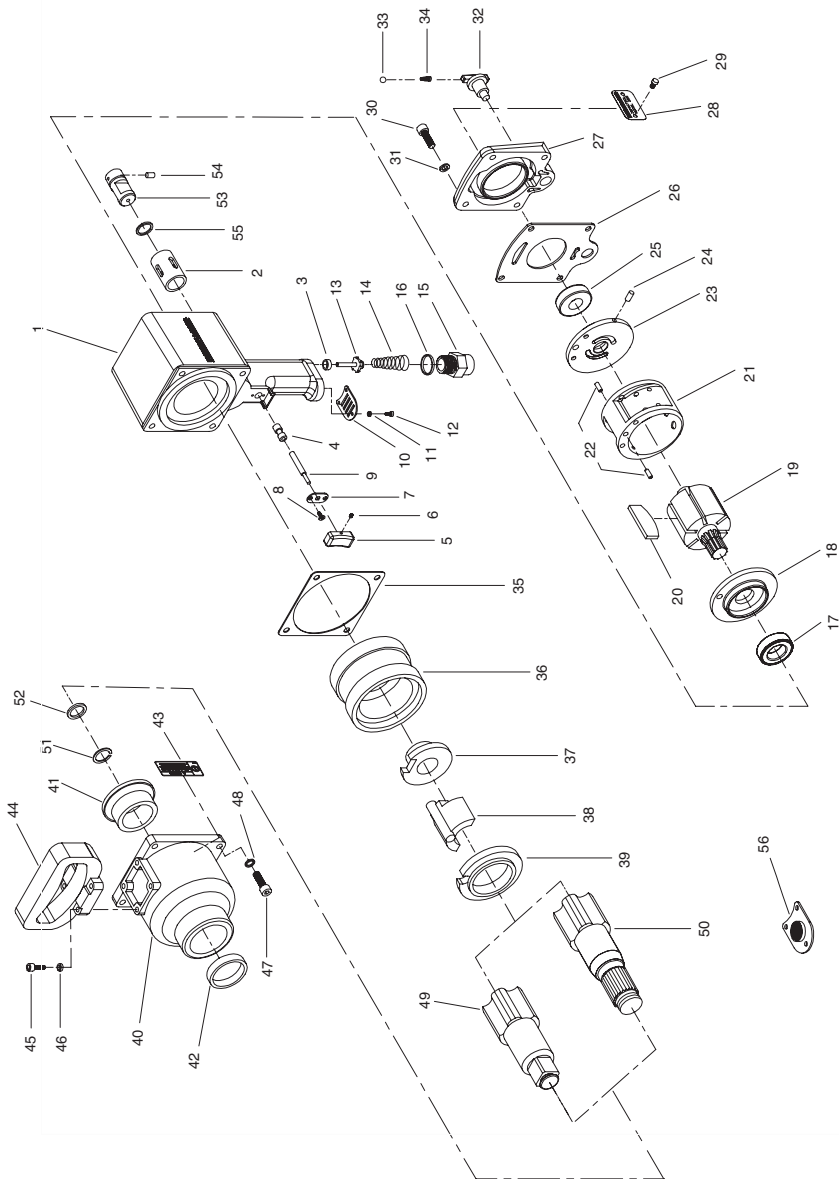


# 295, 295-6 Air Impact Wrench Exploded Diagram



(Dwg. TPA1613-1)

## 295, 295-6 Air Impact Wrench Parts List

Item	Part Description	Part Number	Item	Part Description	Part Number
1	Housing Assembly	295-A40	34	Reverse Valve Detent Spring	291-334
2	Reverse Valve Bushing	295-330A	35	Hammer Case Gasket	285-36
3	Plunger Bushing	295-303	36	Hammer Frame	285-703
4	Bushing	295-31	37	Hammer Cam	285-721
5	Trigger	295-93	38	Hammer	285-724
6	Trigger Pin	295-437	39	Hammer Frame Washer	285-706
7	Trigger Retainer	295-94	40	Hammer Case Assembly	
8	Trigger Retainer Screw (2)	295-299		for models 295, 295-6	285-A727
9	Throttle Valve Plunger	295-302		for models 295-EU, 295-6-EU	285-EU-A727
10	Deflector	295-23	41	Hammer Case Bushing	291-641
11	Washer	295-263	42	Hammer Case Seal	291-642
12	Screw	295-262	43	Warning Label	
13	Throttle Valve	295-50		for models 295, 295-6	222-99
14	Throttle Valve Spring	295-51		for models 295-EU, 295-6-EU	EU-99
15	Inlet Bushing Assembly	295-A565	44	Dead Handle	291-48
16	Inlet Bushing O-Ring	295-566	45	Dead Handle Cap Screw (4)	291-49
17	Front Rotor Bearing	291-25	46	Lock Washer (4)	291-504
18	Front End Plate	291-11	47	Hammer Case Cap Screw (4)	291-105
19	Rotor	285-53	48	Hammer Case Lock Washer (4)	291-104
20	Vane Packet (set of 6 vanes)	291-42-6	49	Anvil Assembly	
21	Cylinder Assembly	285-A3		1" sq. for model 295, 295-EU	285-A726
22	Cylinder Dowel (2)	291-98		1" sq. with 6" extended	
23	Rear End Plate Assembly	291-A12		for model 295-6, 295-6-EU	285-A726-6
24	End Plate Pin	291-10	50	Anvil Assembly (Spline Drive)	
25	Rear Rotor Bearing	291-24		standard for models 295, 295-EU	285-A526
26	Backhead Gasket	295-283		6" extended for models 295-6, 295-6-EU	285-A526-6
27	Backhead Assembly		51	Socket Retaining Ring	
	for models 295, 295-6	295-A102		for 1" sq. drive	291-425
	for models 295-EU, 295-6-EU	295-EU-A102		for spline drive	281S-425
28	Nameplate		52	Socket Retaining Ring	
	for models 295, 295-6	295-301		for 1" sq. drive	291-426
	for models 295-EU, 295-6-EU	295-EU-301		for spline drive	281S-426
29	Nameplate Screws (2)	222-302	53	Valve Assembly	295-A329
30	Backhead Screws (4)	281-638	54	Valve Pin	295-120
31	Backhead Lockwasher (8)	291-104	55	O-Ring	291-338
32	Lever	295-658	56	Exhaust Deflector (for Piped-Away Exhaust)	295S-23
33	Reverse Valve Detent Ball	291-333			

## Parts and Maintenance

When the life of the tool has expired, it is recommended that the tool be disassembled, degreased and parts be separated by material so that they can be recycled.

Tool repair and maintenance should only be carried out by an authorized Service Center.

Refer all communications to the nearest **Ingersoll-Rand** Office or Distributor.

## Related Documentation

For additional information refer to:

Air Impact Wrench Product Safety Information Manual 04580916,

Air Impact Wrench Product Information Manual 04584850.

Manuals can be downloaded from [www.irtools.com](http://www.irtools.com).



[www.irtools.com](http://www.irtools.com)

© 2004 Ingersoll-Rand Company

Form 04584504

Edition 1

December 2004